


# PRODUCT SHEET

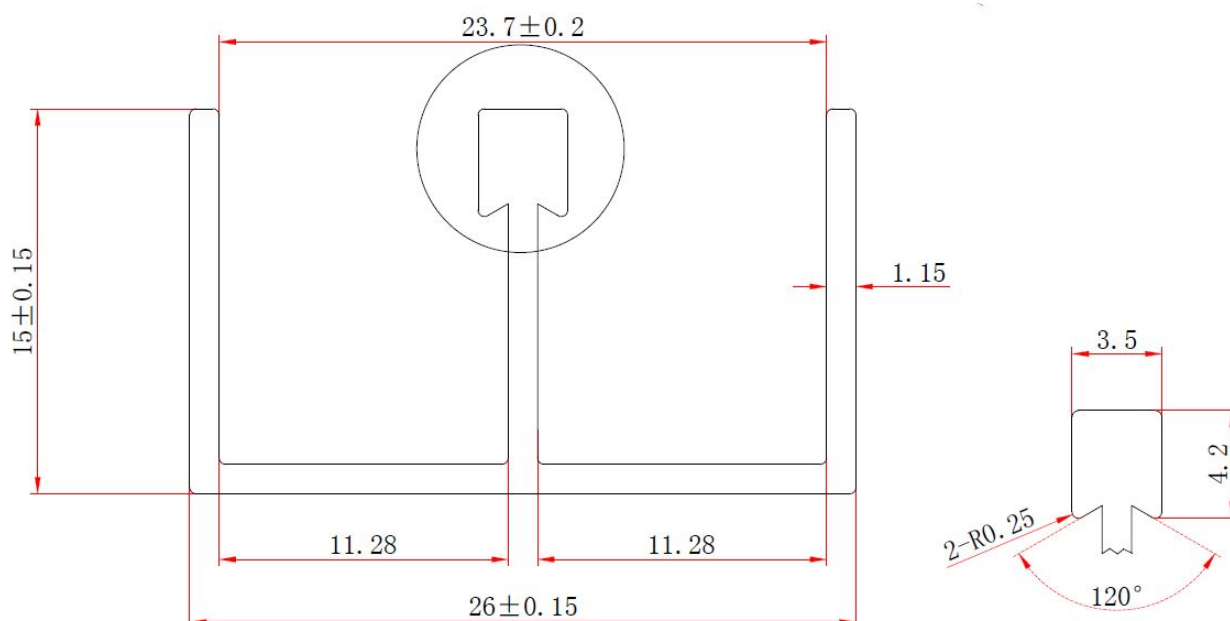
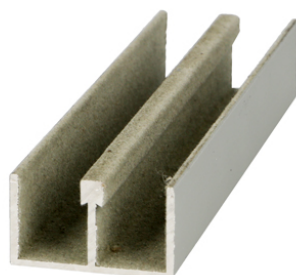
## Description:

Top Alu E-Track, W/Felt, F/Glass System #2740, 2 Meters

## Item number:

22.26.011-0

Units	Box	Carton	HS Code	Barcode
Pcs.	1	30	7604299090	
				5704866085830



## SISO A/S

Mileparken 11  
DK-2740 Skovlunde  
Denmark  
VAT: DK 24786013

Phone +45 45 830 900

[www.siso.dk](http://www.siso.dk)  
[siso@siso.dk](mailto:siso@siso.dk)

Danske Bank  
Nytorv Branch  
Copenhagen  
SWIFT: DABADKKK

Account no.  
4180 3112 112936  
IBAN Account  
DK7230003112112936